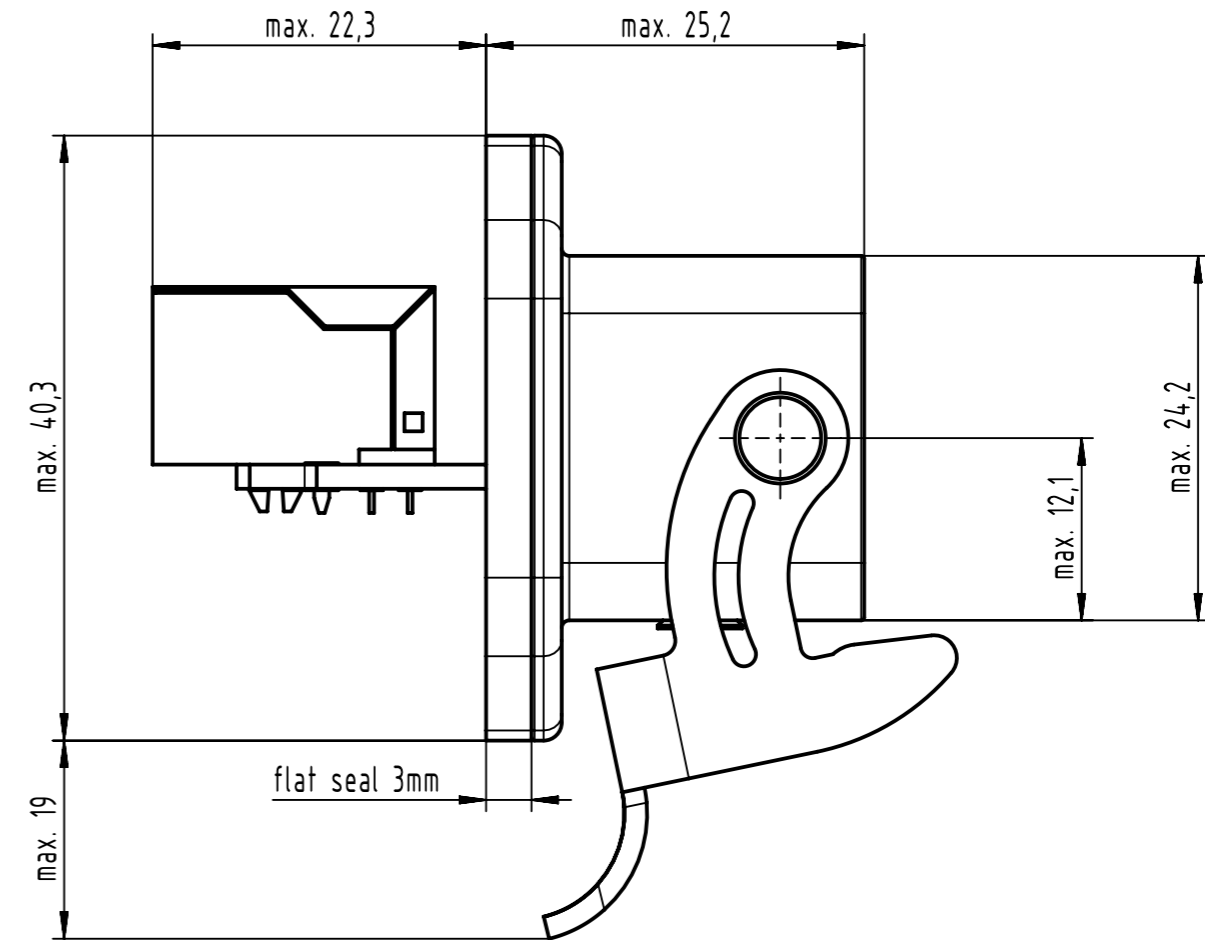
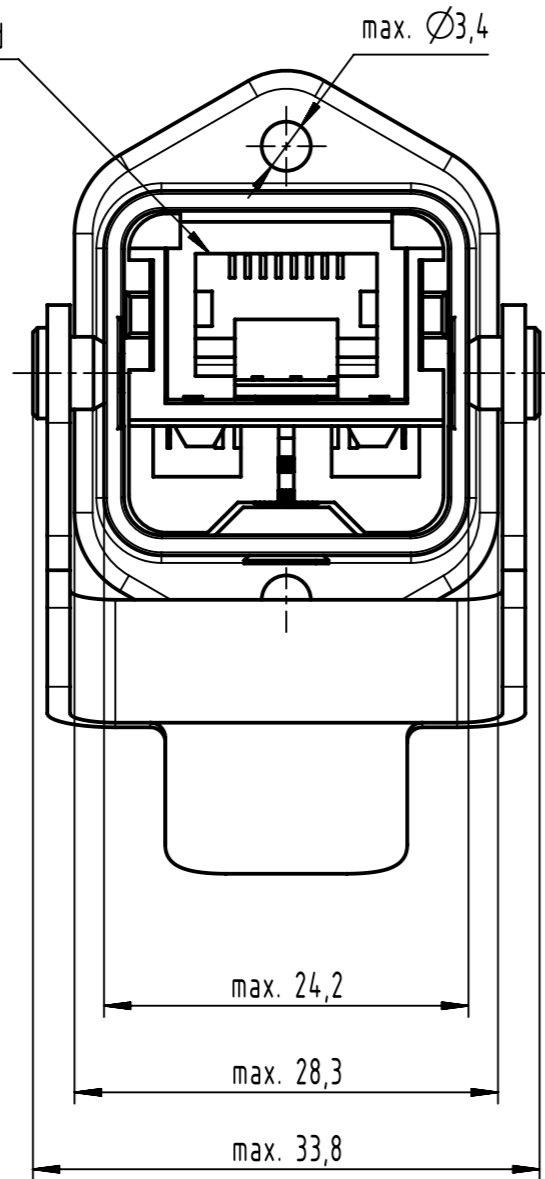
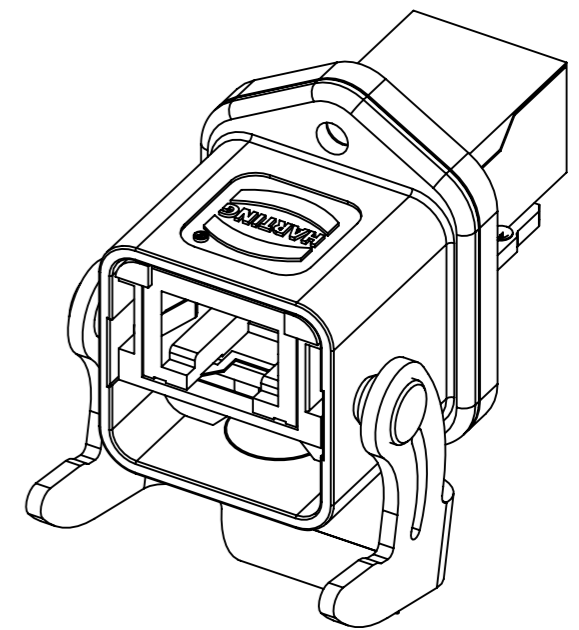
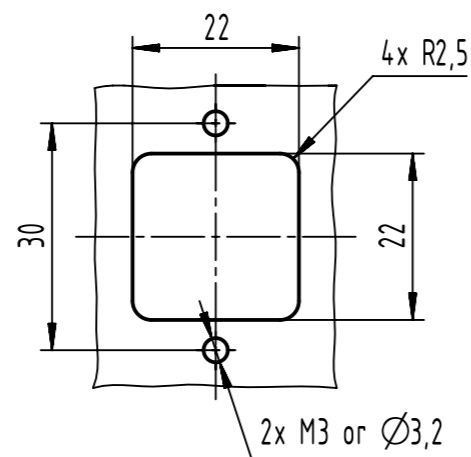


IEC 60603-7
SMC modular jack
12mm height
above PC-Board



Panel cut out
(1:1)



	All rights reserved Department EL PD	All Dimensions in mm Original Size DIN A3			Scale 1:1	Free size tol.	Ref. Sub.
		Created by BALSAN	Inspected by PRIESTER	Standardisation 302077	Date 2021-04-23	State Final Release	Doc-Key / ECM-Nr. 100154344/UGD/005/B 500000193227
HARTING D-32339 Espelkamp		Title Han3M RJ45 Cat5 PFT 8p			Type TB	Number 09452151102	Rev. B
							Page 1/1